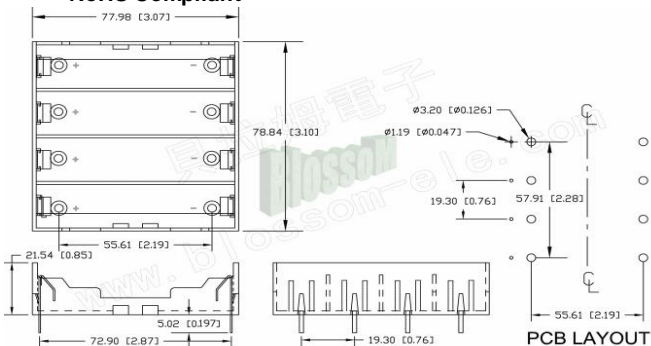


Model: Battery Holder for Li-ion 4X18650



| № | Параметр / Parameter | Значение (Value) |
|---|----------------------|---|
| 1 | Material | ABS Resin,Black color |
| 2 | Terminal | PC Pins |
| 3 | Spring | 302Stainless Steel Spring Temper,Nickel Plated |
| 4 | Temperature | (-40°Cto+80°C) |

RoHS Compliant



RUICHI